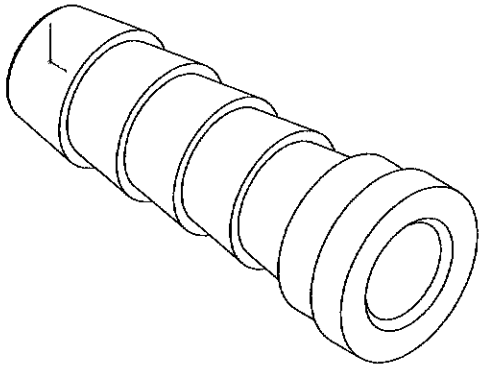
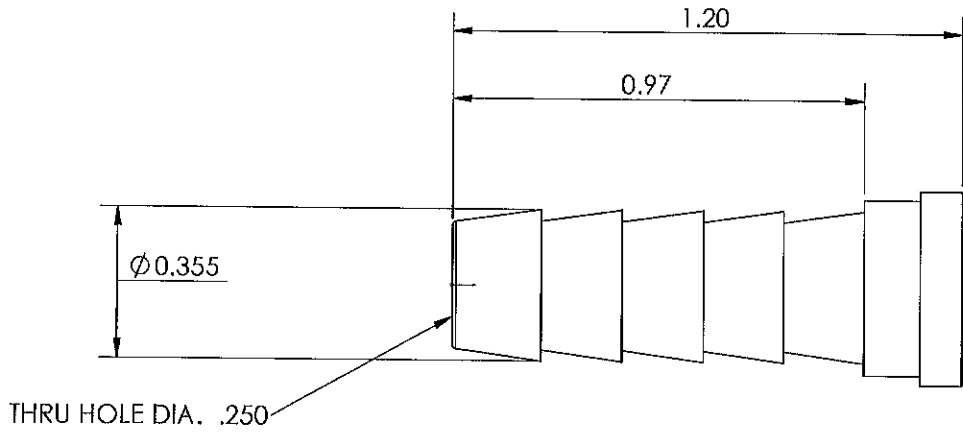

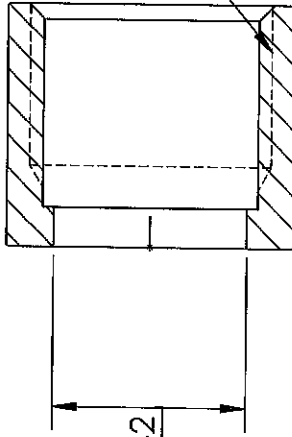
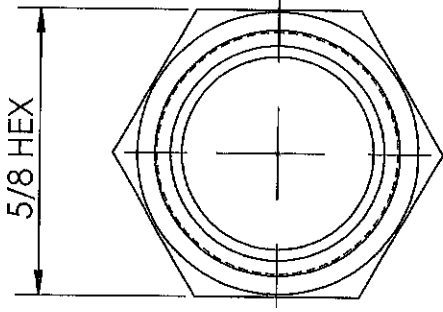
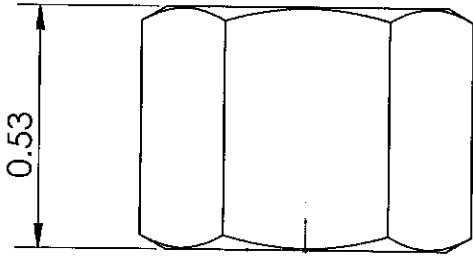


LINE DRAWING NOT FOR PRODUCTION PURPOSES



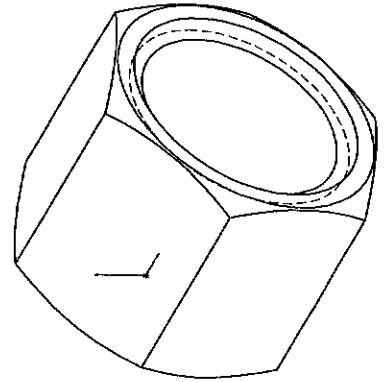
THIS DRAWING CONTAINS INFORMATION DEEMED PROPRIETARY TO DIXON BRASS AND IS TO BE USED ONLY FOR THE PURPOSE FOR WHICH IT IS SUBMITTED, AND FURTHER, SHALL NOT BE COPIED IN WHOLE OR IN PART WITHOUT EXPRESS WRITTEN PERMISSION FIRST OBTAINED FROM DIXON BRASS, UNLESS OTHERWISE SPECIFIED:			
DIMENSIONS ARE IN INCHES TOLERANCES: ANGLES: $\pm 0^{\circ}30'$.X (± 0.015) .XX (± 0.010) .XXX (± 0.005) DIMENSIONS PER ANSI Y14.5	 The Right Connection™	Dixon Brass Westmont, Illinois USA	
		DRAWN P. MONAGHAN	DATE 2/28/14
TITLE: 5/16 SWIVEL STEM GASKET SEAT TYPE		DRAWING NOT REPRODUCED TO SCALE	
SIZE A	DWG. NO. 1260504S	REV C	ECO NO.

LINE DRAWING NOT FOR PRODUCTION PURPOSES



(THRU HOLE DIA.) $\phi 0.42$

1/4 - 18 NPSM
THREAD



<p>THIS DRAWING CONTAINS INFORMATION DEEMED PROPRIETARY TO DIXON BRASS AND IS SO TO BE USED ONLY FOR THE PURPOSE FOR WHICH IT IS SUBMITTED, AND FURTHER, SHALL NOT BE COPIED IN WHOLE OR IN PART WITHOUT EXPRESS WRITTEN PERMISSION FIRST OBTAINED FROM DIXON BRASS. UNLESS OTHERWISE SPECIFIED:</p>		<p>DATE DRAWN P. MONAGHAN 2/27/14</p>	<p>DATE APPROVED DATE</p>
<p>DIMENSIONS ARE IN INCHES TOLERANCES: ANGLES: 30' ANG: ±0.01 XX (±0.01) XXX (±0.005)</p>		<p>Dixon Brass Westmont, Illinois USA</p>	
<p>DIMENSIONS PER ANSI Y14.5</p>		<p>ECO NO.</p>	
<p>TITLE: FEMALE SWIVEL NUT 1/4 - 18 NPSM</p>		<p>DRAWING NOT REPRODUCED TO SCALE</p>	
<p>SIZE A</p>		<p>DWG. NO. 1240604N</p>	
<p>REV</p>		<p>REV B</p>	