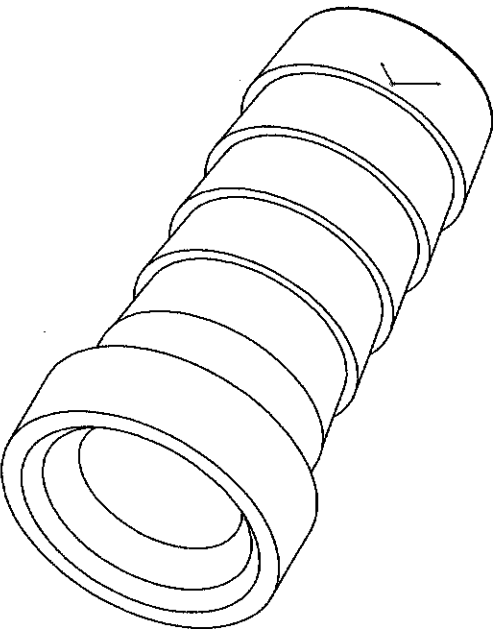
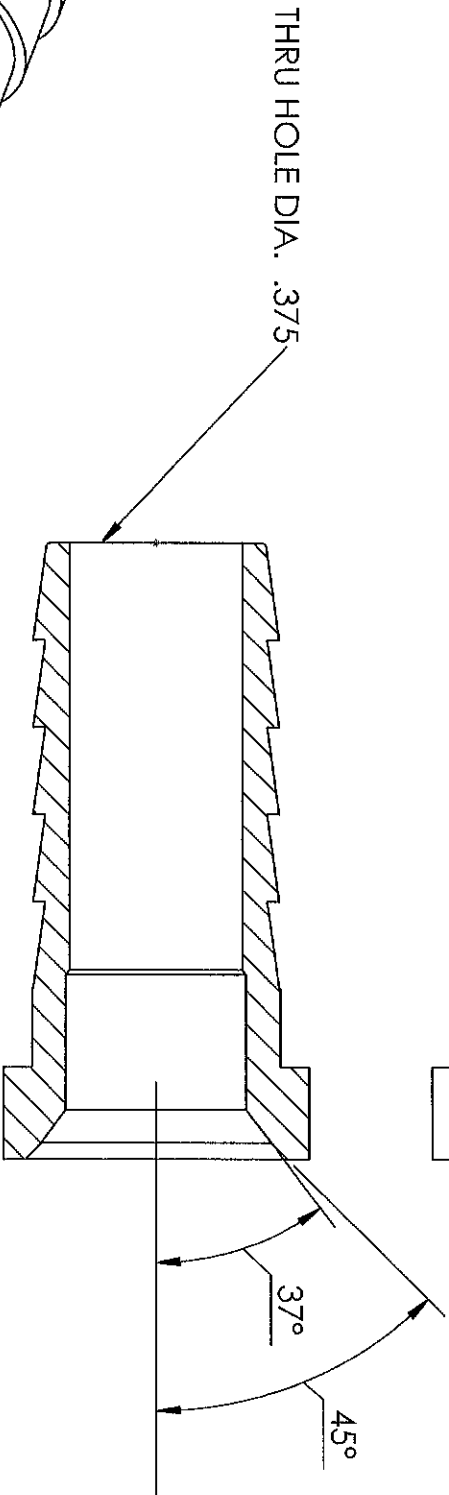
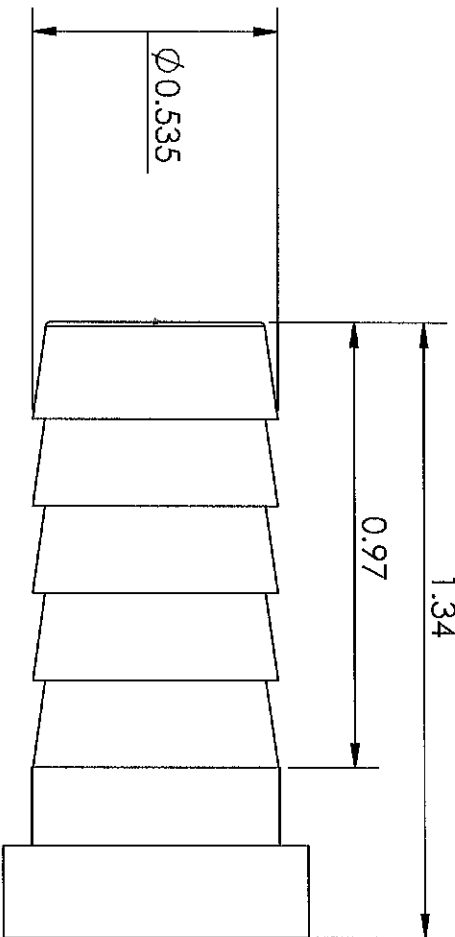


LINE DRAWING NOT FOR PRODUCTION PURPOSES



THIS DRAWING CONTAINS INFORMATION DEEMED PROPRIETARY TO DIXON. BRASS AND IS SO TO BE USED ONLY FOR THE PURPOSE FOR WHICH IT IS SUBMITTED, AND FURTHER, SHALL NOT BE COPIED IN WHOLE OR IN PART WITHOUT EXPRESS WRITTEN PERMISSION FROM DIXON BRASS.

UNLESS OTHERWISE SPECIFIED:

DIMENSIONS ARE IN INCHES

TOLERANCES:

ANGLES: $\pm 0^\circ 30'$

X ($\pm .015$)

XX ($\pm .010$)

XXX ($\pm .005$)

DIMENSIONS PER ANSI Y14.5



Dixon Brass
Westmont, Illinois USA

DATE

3/17/14

APPROVED

DATE

ECO NO.

TITLE:

FEMALE SWIVEL STEM
DUAL ANGLE SEAT

SIZE

A

DRAWING NOT REPRODUCED TO SCALE

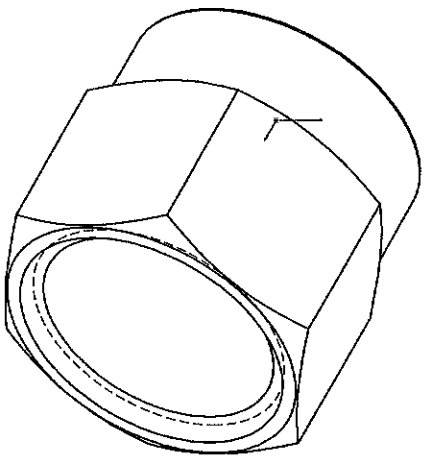
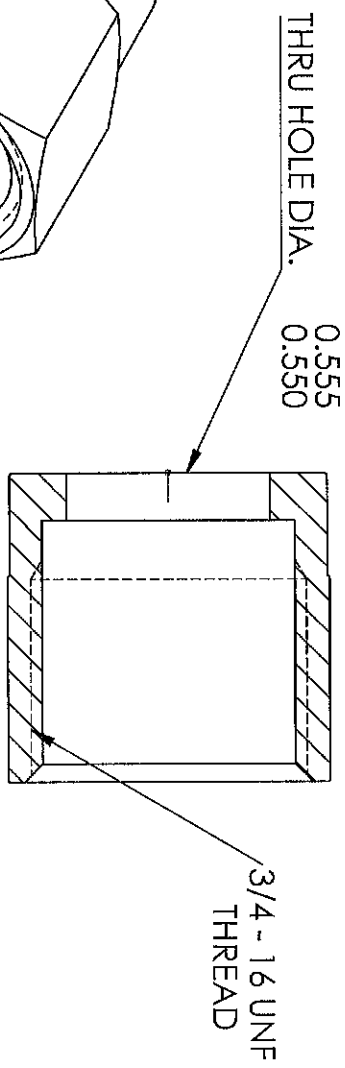
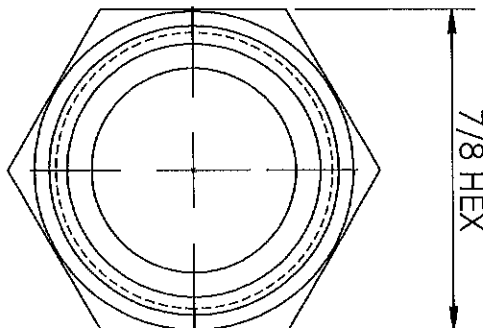
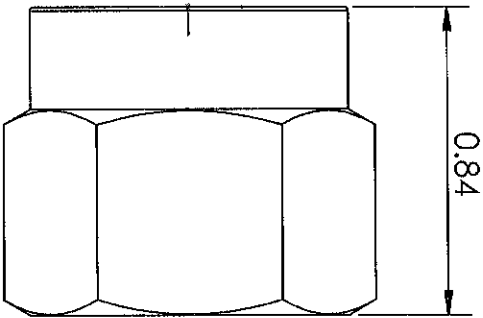
DWG. NO.

1430812S

REV

D

LINE DRAWING NOT FOR PRODUCTION PURPOSES



THIS DRAWING CONTAINS INFORMATION DEEMED PROPRIETARY TO DIXON BRASS AND IS SO TO BE USED ONLY FOR THE PURPOSE FOR WHICH IT IS SUBMITTED, AND FURTHER, SHALL NOT BE COPIED IN WHOLE OR IN PART WITHOUT EXPRESS WRITTEN PERMISSION FIRST OBTAINED FROM DIXON BRASS.

UNLESS OTHERWISE SPECIFIED:
DIMENSIONS ARE IN INCHES

TOLEANCES:
X (± 0.15)
.XX (± 0.10)
.XXX (± 0.05)

DIMENSIONS PER ANSI Y14.5



Dixon Brass
Westmont, Illinois USA

TITLE:

SAE FEMALE SWIVEL NUT

DRAWN	DATE
P. MONAGHAN	5/20/14
APPROVED	DATE
ECO NO.	

DRAWING NOT REPRODUCED TO SCALE

SIZE	DWG. NO.	REV
A	1440612N	C