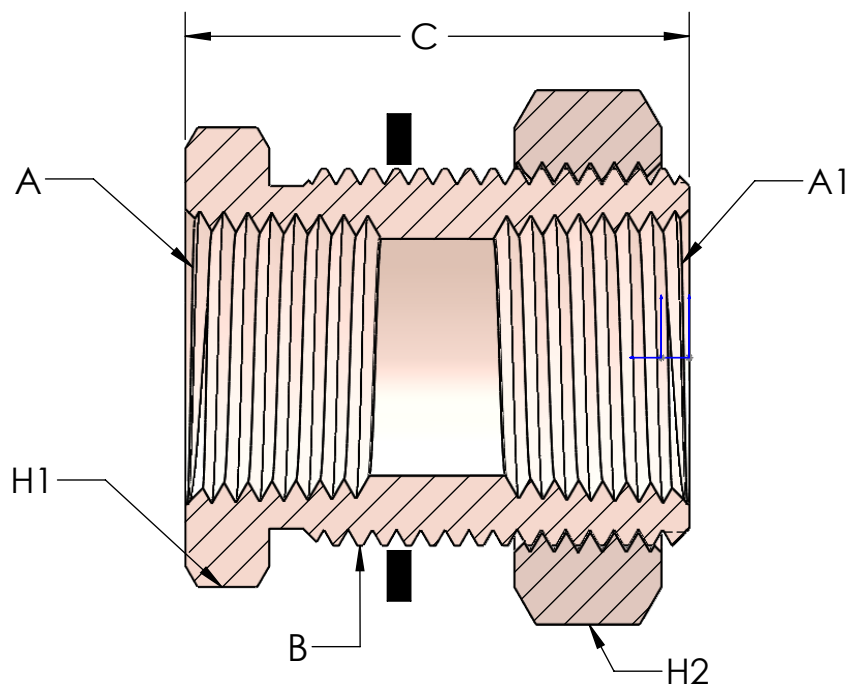


LINE DRAWING NOT FOR PRODUCTION PURPOSES



PART NUMBER	NPTF PIPE THREAD A	NPTF PIPE THREAD A1	UNS STRAIGHT THREAD B	HEX H1	HEX H2	LENGTH C	STD. PKG.	LBS. PER 100 PCS.
207BH2	1/8-27	1/8-27	5/8-18	7/8	15/16	1.50	25	16.3
207BH4	1/4-18	1/4-18	3/4-16	1	1-1/8	1.50	25	21.8
207BH4S	1/4-18	1/4-18	3/4-16	1	1	.94	25	15.0
207BH6	3/8-18	3/8-18	1-14	1-1/8	1-1/4	1.31	10	27.5
207BH8-6	1/2-14	3/8-18	1-1/8-14	1-1/4	1-3/8	1.50	10	38.45
207BH8	1/2-14	1/2-14	1-1/8-14	1-1/4	1-3/8	1.50	10	33.1
207BH12	3/4-14	3/4-14	1-5/16-12	1-1/2	1-1/2	1.50	10	41.3

PROPRIETARY AND CONFIDENTIAL

This drawing is owned by Dixon Valve & Coupling Co. and shall be returned upon demand. It is loaned on condition that it shall not be copied or reproduced or submitted to others without the owners consent. In accepting it, subject to this condition, the recipient further agrees that this drawing or any design detail or concept disclosed herein shall not be used in any way detrimental to or in competition with the owner. If the recipient does not agree to the terms of this agreement they shall return this drawing immediately. The information contained in this drawing is subject to change without notice.



The Right Connection™
DIXONVALVE.COM

Dixon Brass
Westmont, Illinois USA

DRAWN
P. MONAGHAN
DATE
6/10/21

APPROVED
DATE

ECO NO.

TITLE:
BULKHEAD ANCHOR
COUPLING

DO NOT SCALE THIS DRAWING
SIZE DWG. NO. REV
A 207BH SERIES A