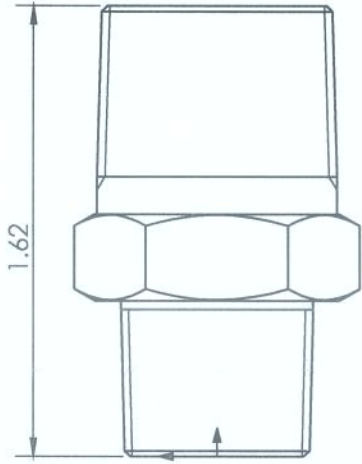
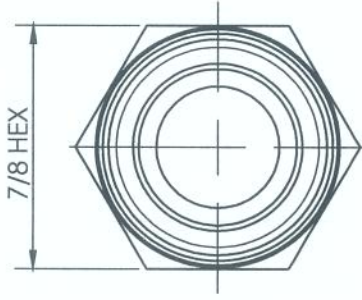
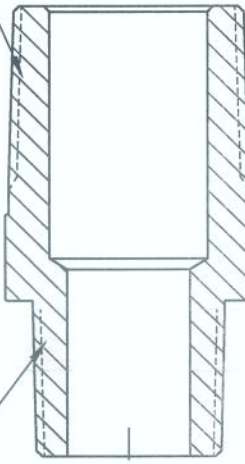


LINE DRAWING NOT FOR PRODUCTION PURPOSES



3/8 - 18 NPTF



MATERIAL 7/8 HEX ALLOY 360 BRASS

This drawing is issued by Dixon Valve & Fittings Co. and shall be returned upon demand. It is loaned on condition that it shall not be copied or reproduced or submitted to others without the owners consent. In accepting it, subject to this condition, the recipient further agrees that this drawing or any design detail or concept disclosed herein shall not be used in any way detrimental to or in competition with the owner. If the recipient does not agree to these conditions, the recipient shall immediately return this drawing to the owner. The information contained in this drawing is subject to change without notice.



Dixon Brass
Westmont, Illinois USA

DRAWN	DATE
HENRY B.	8/24/17
APPROVED	DATE
ECO NO.	

DO NOT SCALE THIS DRAWING	
TITLE:	3/8 X 1/2 MALE HEX REDUCER NIPPLE
SIZE	A
DWG. NO.	3790806C
REV	A