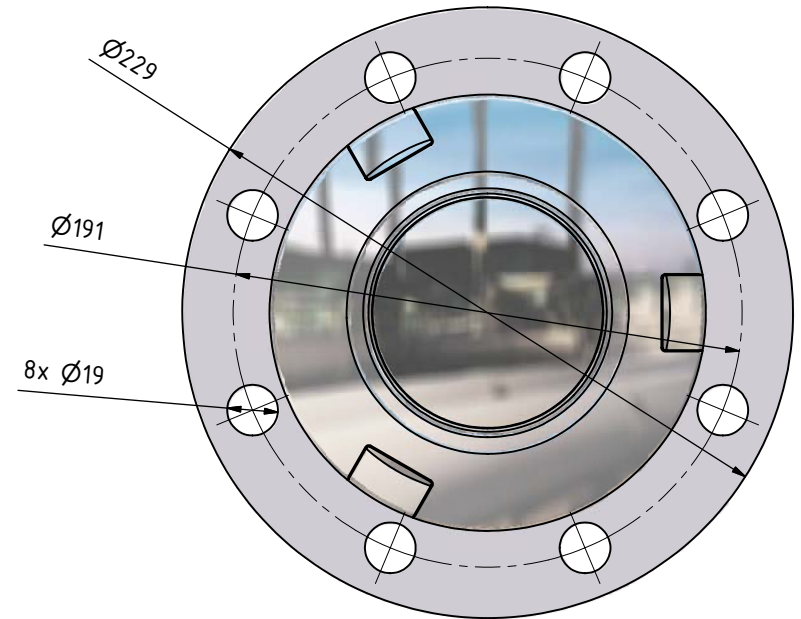
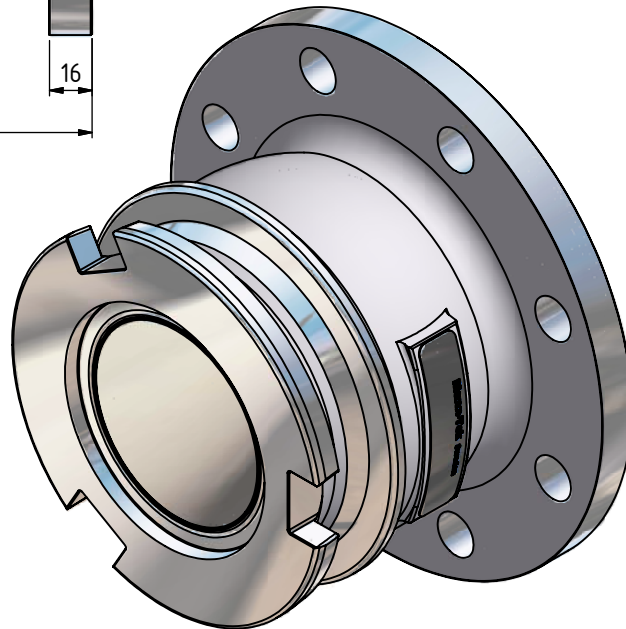
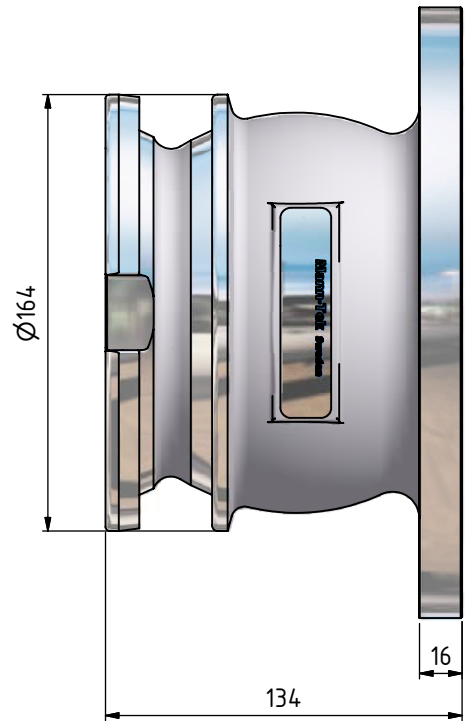


Notice: This drawing contains proprietary information and shall not be used or reproduced or its contents disclosed in whole or in part, without the prior written consent of the Mann-Technik AB



Dimensions are in metric.

Detail No:		Material		Ytbeh./Treatment	
Mann T e k	Designed/drawn by	Scale:		Dimension with no tolerances acc to Machined SS-ISO 2768-1 medium Weld Forge SS-ISO 2768-1 coarse Surface roughness ISO 1302 Form & position tol SS ISO 1101	
	Checked	1:2			
	Approved	Date			
	P. Nyberg	2006-10-16		Data nr./Comp No.	Blad/Sheet
	G. Kopplin			T563D1101	1 / 1
	T. Mann			Drawing No.	Rev.
Tank Unit 4"				T563D1101-1	
Flange 4" ANSI 150 PSI					

NO.	Revision comprises	Date	Sign.	Appr by
-----	--------------------	------	-------	---------