

Excelon® design allows in-line or modular installation with other Excelon® products

Quick release bayonet bowl

Highly visible prismatic liquid level indicator lens on metal bowls



Technical data

Fluid:

Compressed air, neutral gases
 NOTE: Contact technical support for use with other media.

Maximum pressure:

Transparent bowl: 150 psig (10 bar)

Metal bowl: 250 psig (17 bar)

F72G w/metal bowl and automatic drain: 150 psig (10 bar)

Operating temperature*:

Transparent bowl: -30° to 125°F (-34° to 50°C)

Metal bowl:

(72) -30° to 150°F (-34° to 66°C)

(73, 74) -30° to 175°F

(-34° to 80°C)

* Air supply must be dry enough to avoid ice formation at temperatures below 35°F (2°C) .

Materials

F72G

Body: zinc

Transparent bowl: polycarbonate

Metal bowl: zinc

Metal bowl liquid level indicator

lens: transparent nylon

Element: sintered polypropylene

Elastomers: chloroprene and nitrile

F73G & F74G:

Body: aluminum

Transparent bowl: polycarbonate

Transparent with guard:

polycarbonate, aluminum guard

Metal bowl: aluminum

Metal bowl liquid level indicator

lens: transparent nylon

Element: sintered polypropylene

Elastomers: chloroprene and nitrile

Ordering information

Models listed include PTF threads, automatic drain, metal bowl with liquid level indicator, and a 40 µm element.

Symbol	Port Size	Model	Flow† scfm (dm ³ /s)	Weight lb (kg)
	1/4"	F72G-2AN-AE3	55 (26)	1.15 (0.52)
	3/8"	F73G-3AN-AD3	65 (31)	1.1 (0.50)
	1/2"	F74G-4AN-AD3	140 (66)	1.79 (0.81)
	3/4"	F74G-6AN-AD3	140 (66)	1.75 (0.79)

† Typical flow with a 40µm element at 90 psig (6.3 bar) inlet pressure and 5 psig (0.35 bar) pressure drop.

Option selector

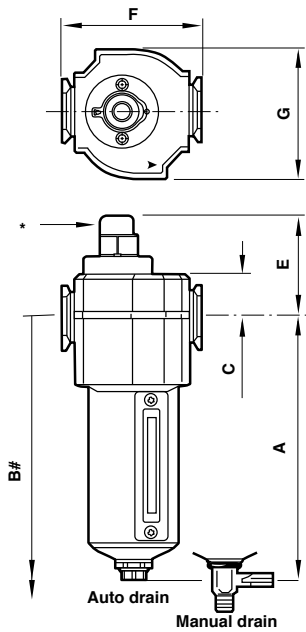
Series	Substitute	Element	Substitute
72	2	5 µm	1
73	3	40 µm	3
74	4		
Port size	Substitute	Bowl	Substitute
1/4 (72, 73)	2	Metal w/ liquid level indicator (72*, 73, 74)	D
3/8 (72, 73 74)	3	Long metal w/ liquid level indicator (72)*	E
1/2 (73, 74)	4	Long transparent (72)*	L
3/4 (74)	6	Transparent with guard (73, 74)	P
		Transparent bowl (72*, 73)	T
Threads	Substitute	Drain	Substitute
PTF	A	1/4 turn manual	Q
ISO G parallel	G	Auto drain*	A
Service life indicator	Substitute		
Mechanical indicator	D		
Without	N		

* 72 Series auto drain is available only with long bowl option.

Accessories

	Wall mounting bracket*	Quikmount pipe adapters (quantity of 1) (NPT)	Quikclamp® (quantity of 1)	Quikclamp® and wall bracket (quantity of 1)	Service kit Seal and gasket	Replacement elements
F72G	4224-50	4215-02 (1/4) 4215-03 (3/8)	4214-51	4214-52	4380-500	5925-03 (5µm) 5925-02 (40µm)
F73G	4424-50	4315-01 (1/4) 4315-02 (3/8) 4315-03 (1/2) 4315-04 (3/4)	4314-51	4314-52	4380-600	4438-01 (5µm) 4438-03 (40µm)
F74G	4324-50	4315-02 (3/8) 4315-03 (1/2) 4315-04 (3/4)	4314-51	4314-52	4380-700	4338-04 (5µm) 4338-05 (40µm)

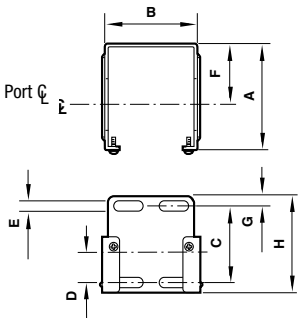
* Bracket kit does not include wall mounting screws.



Series	Drain type	A	B	C	E	F	G
72	Auto	5.51	7.52	0.75	2.09	1.97	1.89
	Manual	5.83	7.83	0.75	2.09	1.97	1.89
73	Auto	5.80	8.15	0.98	2.36	2.68	2.44
	Manual	6.15	8.50	0.98	2.36	2.68	2.44
74	Auto	6.35	9.06	0.98	2.36	3.15	2.91
	Manual	6.95	9.69	0.98	2.36	3.15	2.91

* Optional service indicator
Minimum clearance required to remove bowl

Mounting bracket



Series	A	B	C	D	E	F	G	H
72	2.36	1.65	1.54	0.73	0.16	1.50	0.24	2.01
73	2.64	2.36	1.89	0.75	0.28	1.50	0.24	2.40
74	3.11	2.72	1.97	0.79	0.20	2.01	0.24	2.40

Dimensions in inches (mm)

